

# megapixel IP box camera



## H.264 Megapixel IP Box Camera

Lens sold separately. The camera includes TDSi's Video Analytic solution as standard.

# megapixel IP box camera

DS0110\_Issue 1

## SPECIFICATIONS

TDSi Part No.	5012-0309
<b>Camera Module</b>	
Image Sensor	Aptina (Micron) 1/3.2" (4:3) CMOS 2M
Effective Pixels	1600 x 1200 (UXGA, 2M)
Scanning System	Progressive Scan
Dynamic Range	71dB
SNR	Max 42.3dB
Minimum Illumination	0.5 Lux(50IRE), 0.1 Lux(DSS x5 ON)
Lens Option (5012-0321)	3~8 mm, F1.0 Manual Iris Lens, CS Mount
Day & Night	S/W
<b>Video</b>	
Megapixel Compression	H.264, MJPEG
Compression Format	H.264, MPEG-4, MJPEG
Number of Streams	Dual Stream, Configurable
Resolution	UXGA, SXGA, HD720, XGA, D1, 4CIF, VGA, CIF, QVGA, QCIF (See Manuals for Detail Information)
Compression FPS (In case of VCA or Burnt In Annotation on, fps could be decreased)	H.264: 5 fps@UXGA (1600 x 1200); 8 fps@SXGA (1280 x 1024) 12 fps@HD720 (1280 x 720); 15 fps@XGA (1024 x 768), D1 (720 x 480) MJPEG; 15 fps@UXGA (1600 x 1200)
Motion Detection	Support (DSP)
Burnt-in Text	Support (DSP)
Output	Not Available
<b>Audio</b>	
Input	1 channel
Output	1 channel
Compression Format	G.711
<b>Function</b>	
Digital Input	1 channel (Dry and Wet Contact Selectable)
Digital Output	1 channel (Dry Contact)
RS-485/422	Support (RS-485 only)
RS-232C	Not Available
Network	10 / 100 Base-T
Protocol	TCP/IP, UDP/IP, HTTP, RTSP, RTPC, RTP/UDP, RTP/TCP, SNMP, mDNS, UPnP, SMTP, SOCK, IGMP, DHCP, FTP, DDNS, SSL v2/v3, IEEE 802.1X, SSH
USB 2.0	Support (Mini-B Plug)
SD Memory	Support (microSD, Optional)
<b>Electrical</b>	
Power Source	12V DC (Screw Terminal)
Power over Ethernet	Support (IEEE 802.3af)
Power Consumption (Approx)	300 mA @ +12V
<b>Environmental</b>	
Operating Temperature	0°C ~ 50°C (32°F ~ 122°F)
Operating Humidity	Up to 85% RH (Non-condensing)
<b>Mechanical</b>	
Material	Aluminum Die Casting-2
Color	White Pearl
Dimension	55(w) x 55(H) x 94.2(D) mm
Weight (Approx)	260g
<b>Video Content Analysis (Included as Standard)</b>	
High Performance	Advanced Tracking Algorithm, Low False Alarm Rate
Easy to Use	Intuitive Web Browser Interface
Detection Zones	Multi-segment Polygons and Lines
On-screen Display	Real-time Display of Tracking Data and Events
<b>Video Content Analysis (Option)</b>	
Detection Behavior	Direction, Stopping, Loitering, Entering, Exiting, Appear & Disappear Filters
3D Behavior	Perspective Corrected Size and Speed Filters
Statistics	Counting Functions and Other Statistics
Meta Data	Binary XML Format
<b>Image Stabilization (Option)</b>	
Electronic Stabilization	Removes Camera Sway

## FEATURES & BENEFITS

**Megapixel Compression: H.264, MJPEG, Up to 1600 x 1200**

**Video Compression: H.264, MPEG-4, MJPEG (Dual Stream@D1)**

**2-way Audio**

**Burnt-in Text, Video Motion Detection Support**

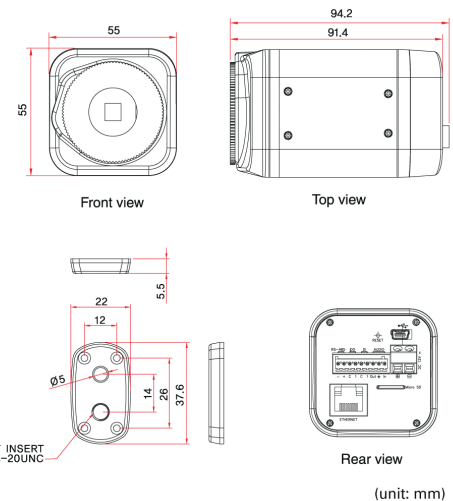
**USB 2.0 Support (External Storage, Wireless LAN)**

**microSD Memory Slot Support**

**Providing only SDK, not Complete Application Software**

## ORDERING INFORMATION

**Part Number: 5012-0309**



(unit: mm)



**TDSi UK**  
Unit 10 Concept Park,  
Innovation Close,  
Poole,  
Dorset BH12 4QT  
United Kingdom  
t: +44 (0)1202 723535  
f: +44 (0)1202 724975  
e: sales@tdsi.co.uk

**TDSi France**  
Immeuble ATRIA,  
2 rue du Centre  
93160 NOISY LE GRAND,  
France  
t: +33 (0)1 58 84 20 90  
f: +33 (0)1 58 84 20 91  
e: infos@tdsi-france.com

**TDSi China**  
Rm 103, 1 Bld,  
Shangsha Innovation Science  
& Technology Park,  
9283 Binhai Road,  
Futian District,  
Shenzhen 518048,  
P.R.China  
t: 86-755-82535725,  
82535720  
f: 86-755-82535770  
e: tdsiinfo@microgarde.com.cn